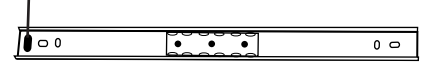
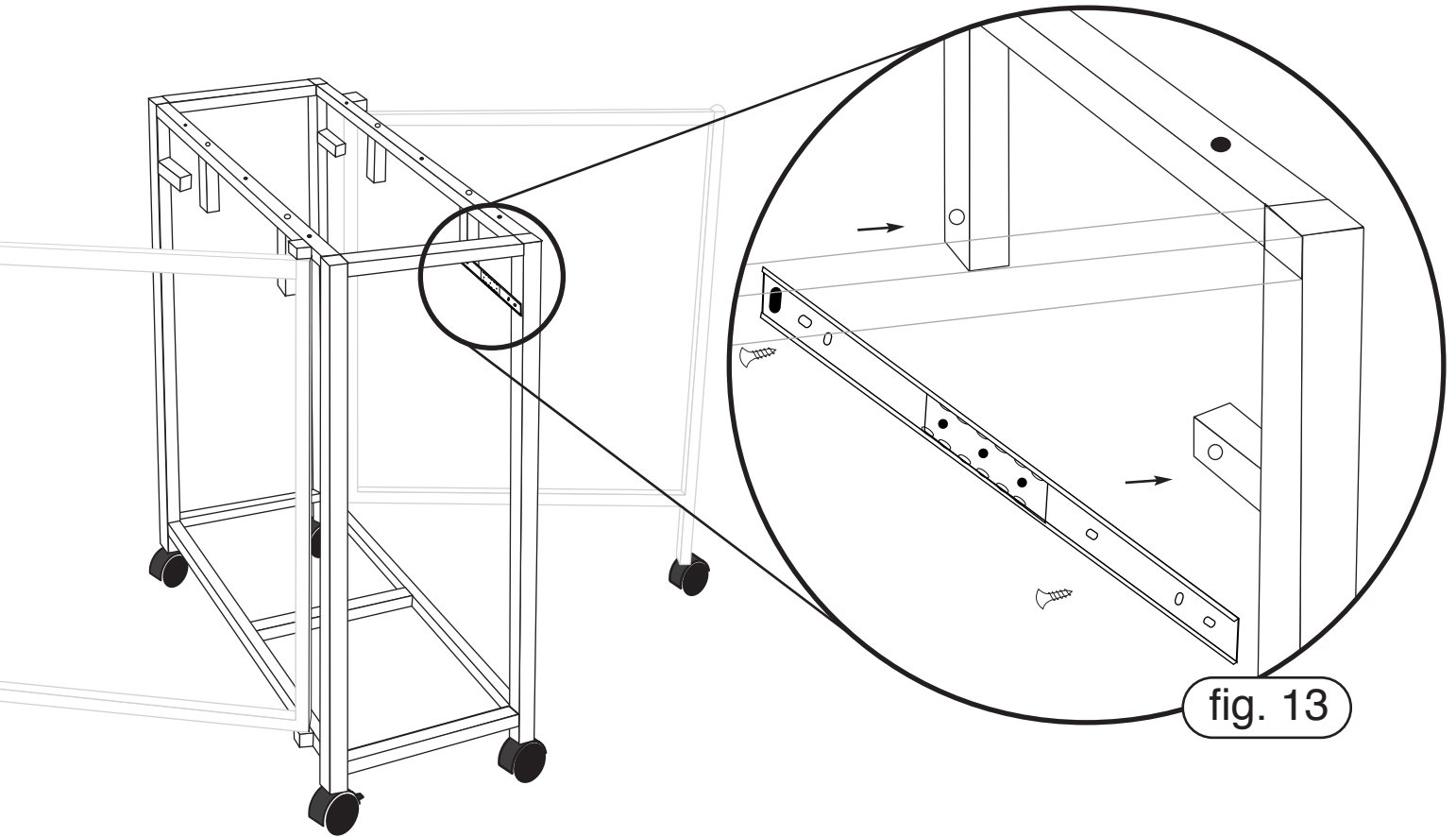


8) Need: Part Q (outer part) and part EE

drawer stop



The outer part of the drawer slides that were set aside will now be attached inside the frame of the previously assembled table base. Make sure that the drawer stop is toward the back (fig.13).



Repeat until all 4 slide parts are attached.