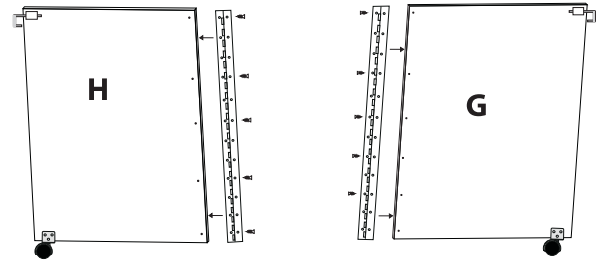
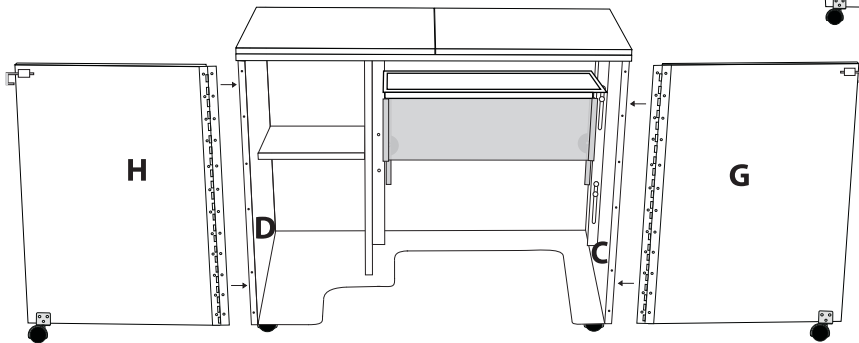


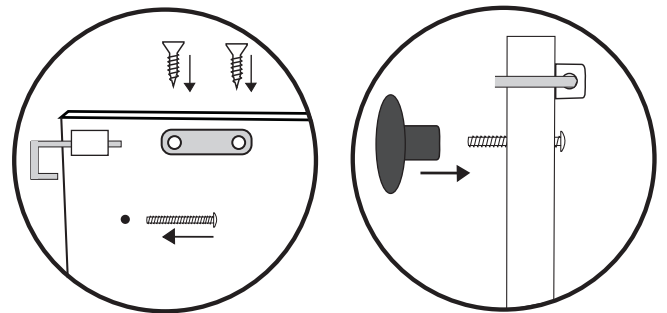
Using parts O and Y (32 gold)

14. Attach piano hinge to board H and board G.
(Only insert screws where holes are provided on board G.)
Then attach board H to board D and board G to Board C.



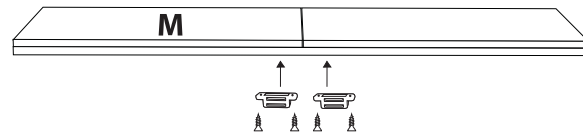
Using parts L, T and Y (4 black)

15. Attach door knobs, and strikes to board G and H.



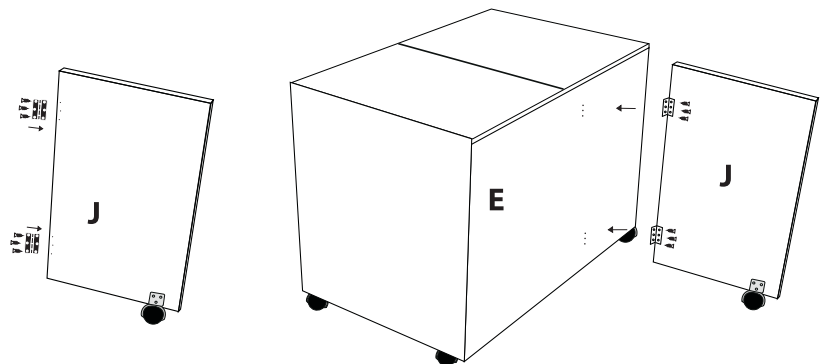
Using parts S and Y (4 black)

16. Attach magnetic catch to top board (M).



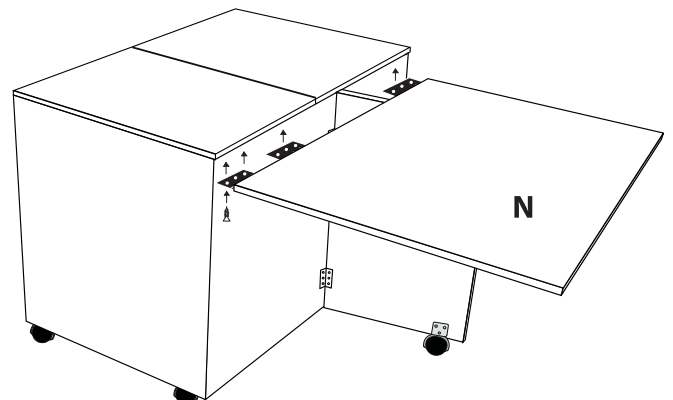
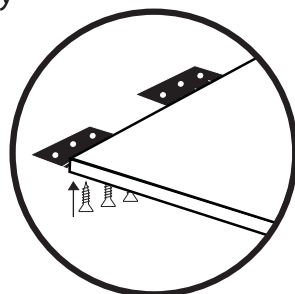
Using Parts U and Y (12 black)

17. Attach part U to board J.
Attach board J to the back of board E.
Make sure hinges are on correctly so that board folds to the left.



Using parts U and Y (18 black)

18. Attach Board N to backside of top board (M).
Make sure hinges are on correctly so that board folds down.



See Last 2 pages for correct final result and function diagrams.